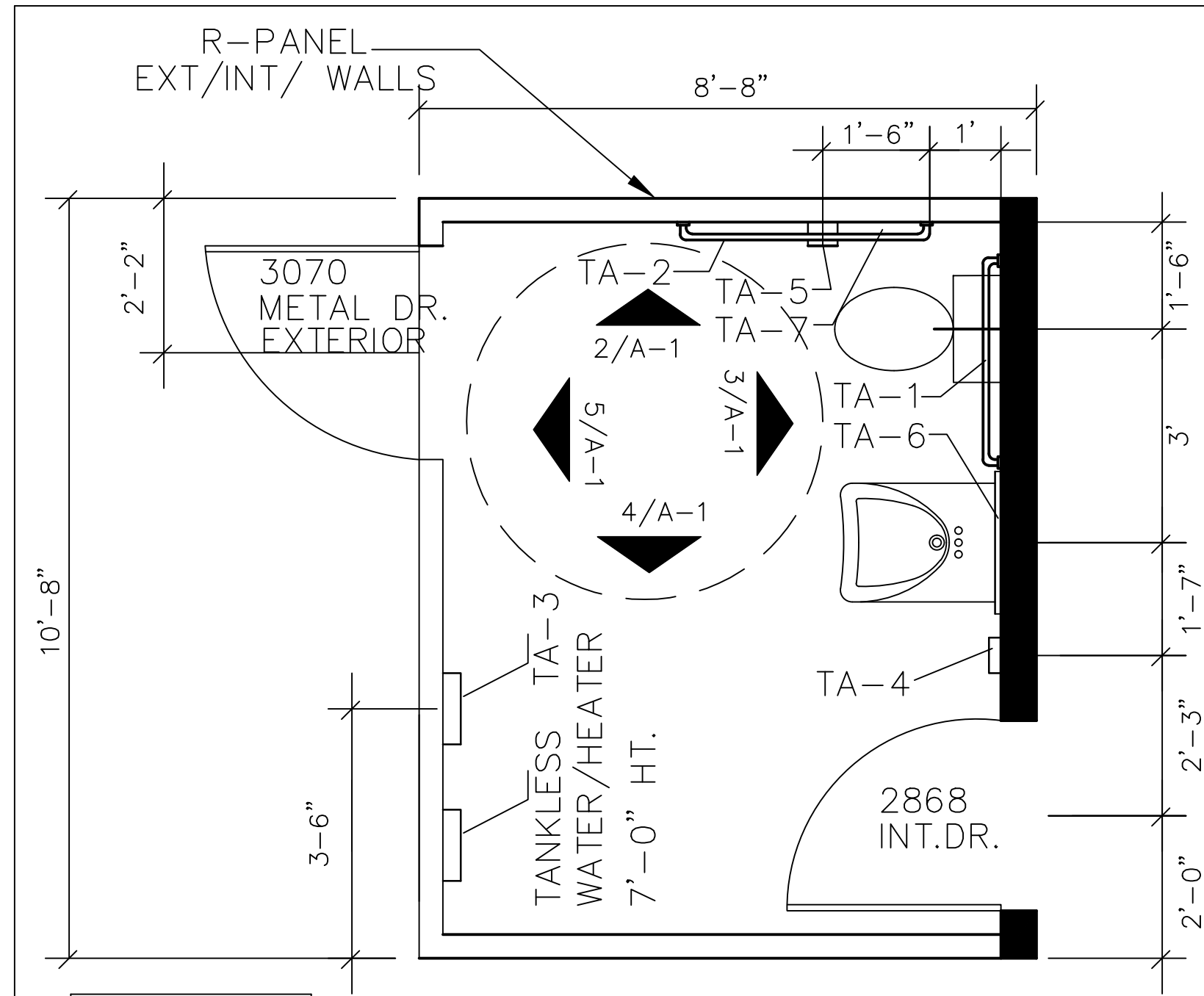


NO.	DATE	NAME
1		

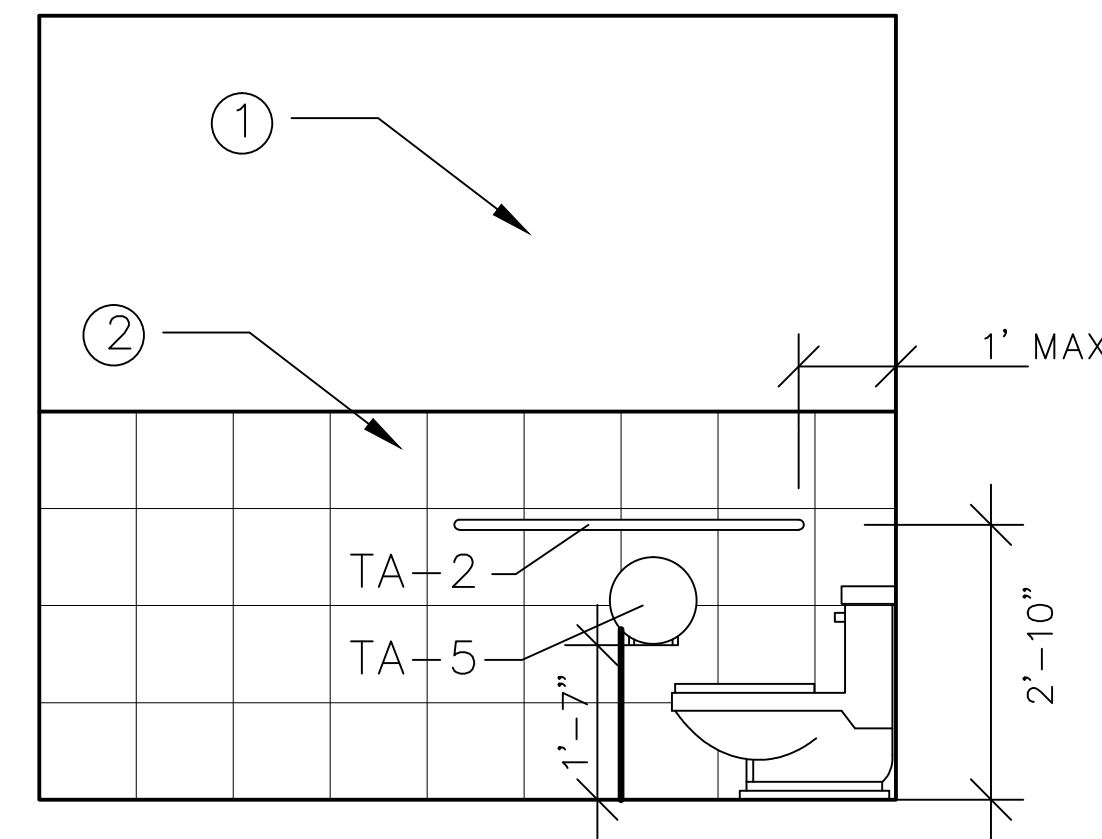


SYMBOL LEGEND

	ELEVATION RE: A-1
	STICK FRAMING NEW 2X6
	STICK FRAMING NEW 2X4

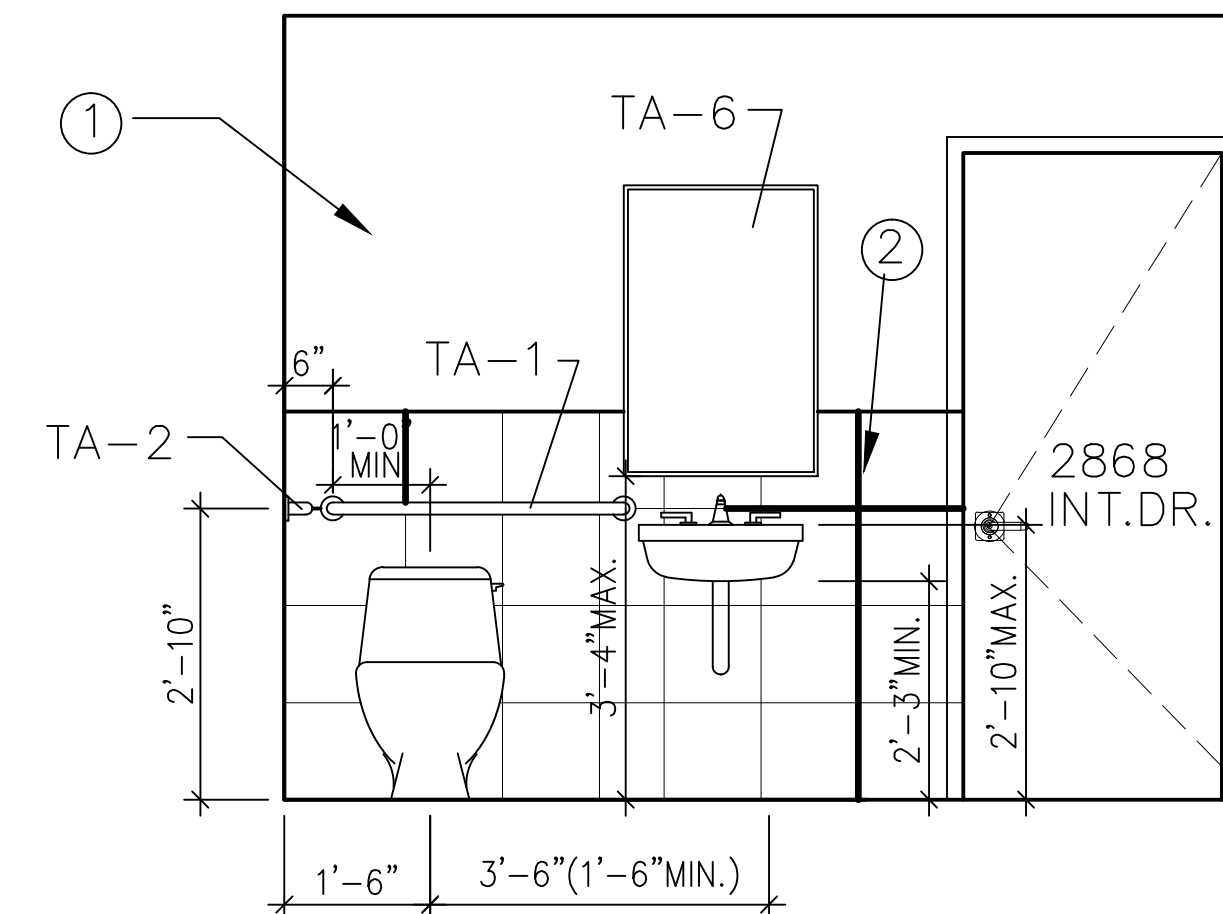
1- UNISEX T.R. 101

SCALE: 1/2"=1'-0"



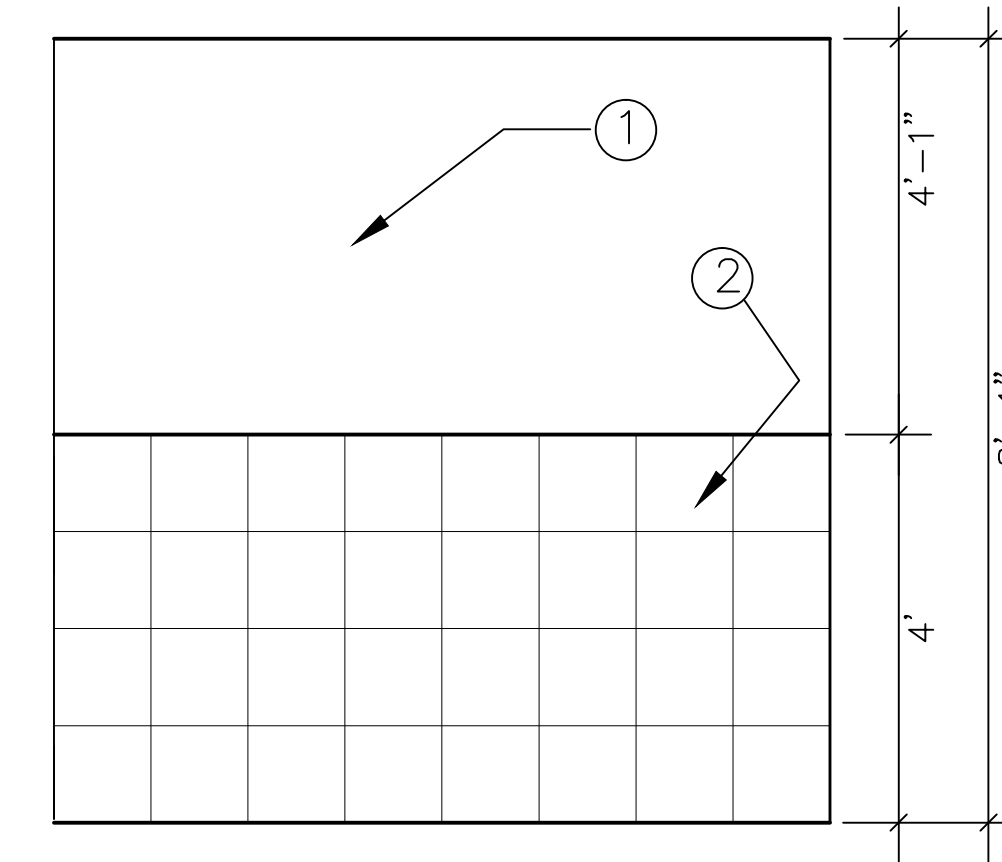
2- UNISEX T.R. 101

SCALE: 1/2"=1'-0"



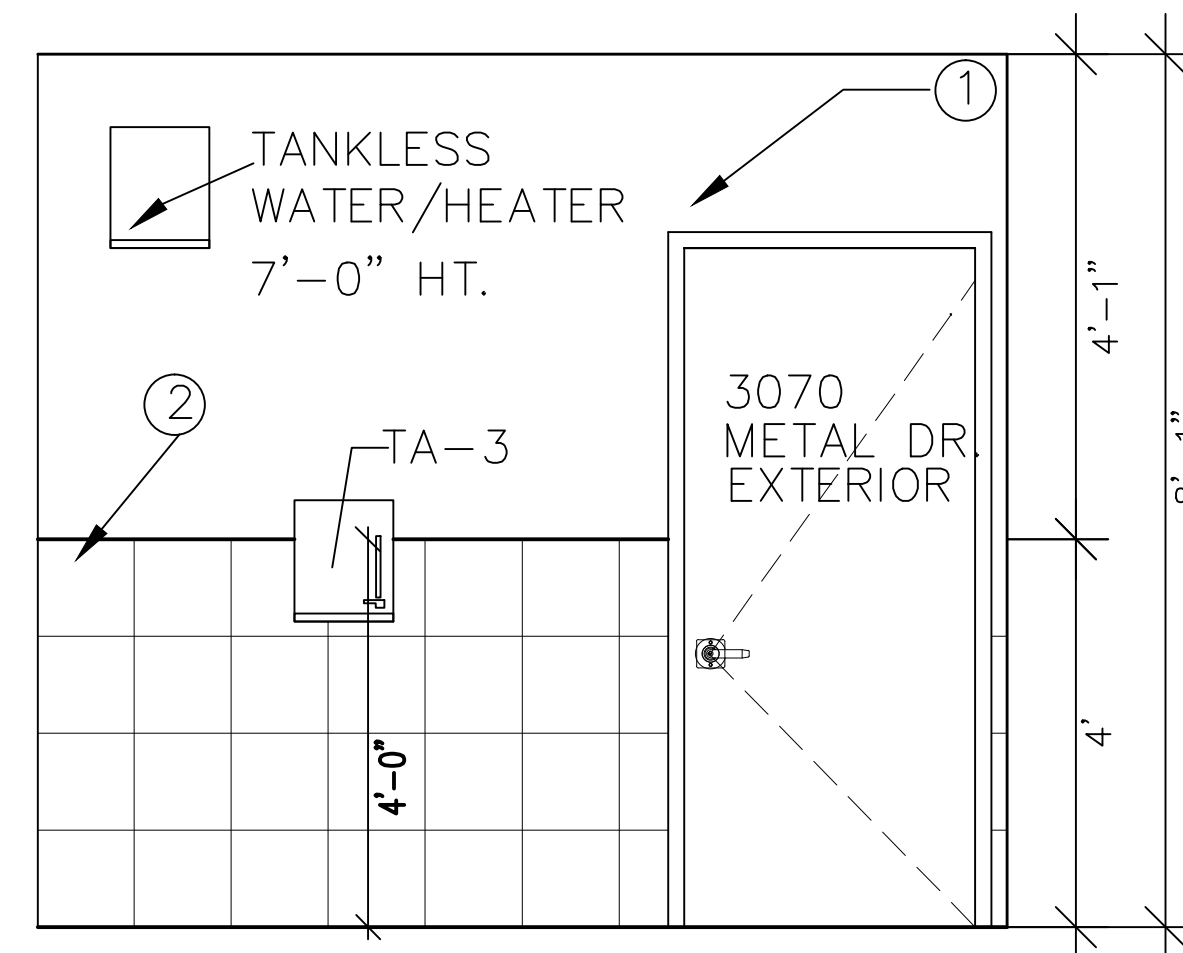
3- UNISEX T.R. 101

SCALE: 1/2"=1'-0"



4- UNISEX T.R. 101

SCALE: 1/2"=1'-0"



5- UNISEX T.R. 101

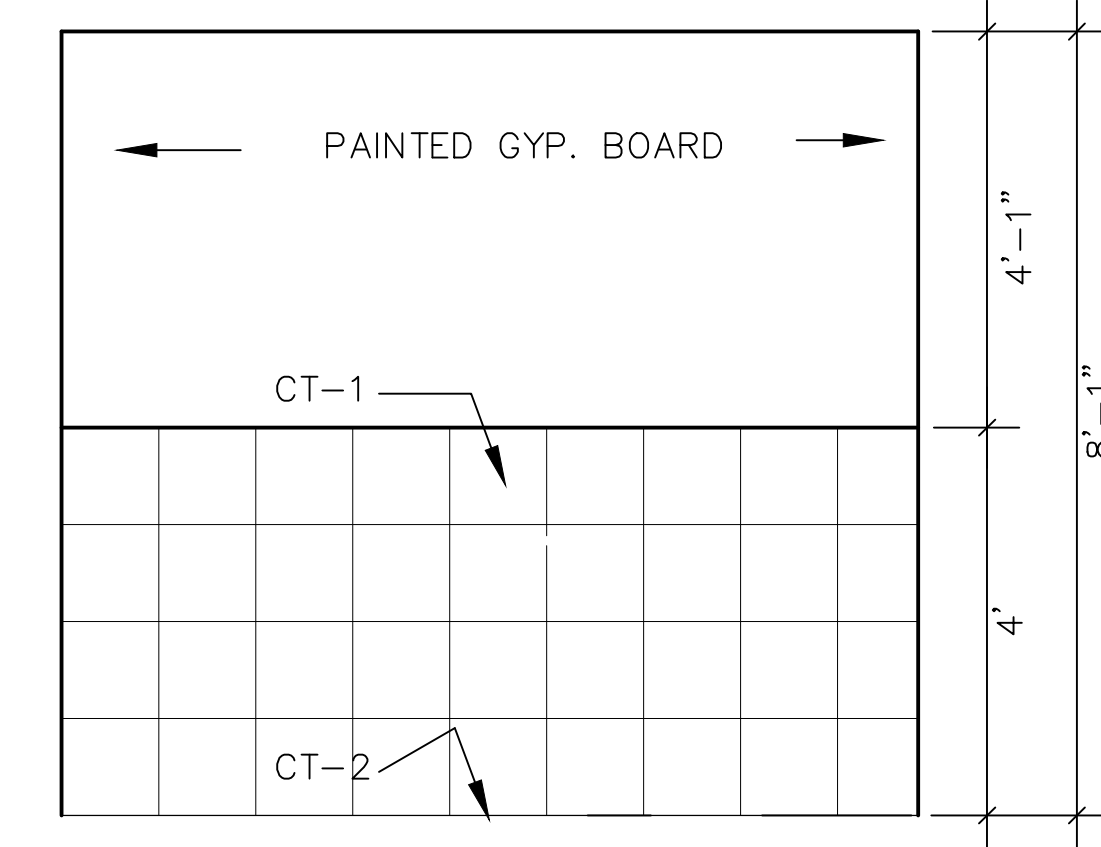
SCALE: 1/2"=1'-0"

KEY NOTES:

- ① PAINTED GYPSUM BOARD
- ② 12" X 12" CERAMIC TILE

TOILET ACCESSORY SCHEDULE

- TA-1 36" STAINLESS STEEL GRAB BAR
- TA-2 42" STAINLESS STEEL GRAB BAR
- TA-3 PAPER TOWELS DISPENSER
- TA-4 SOAP DISPENSER
- TA-5 ROLL TOILET PAPER HOLDER
- TA-6 36" HEIGHT MIRROR (REF ELEVATION)
- TA-7 SANITARY NAPKIN DISPOSAL



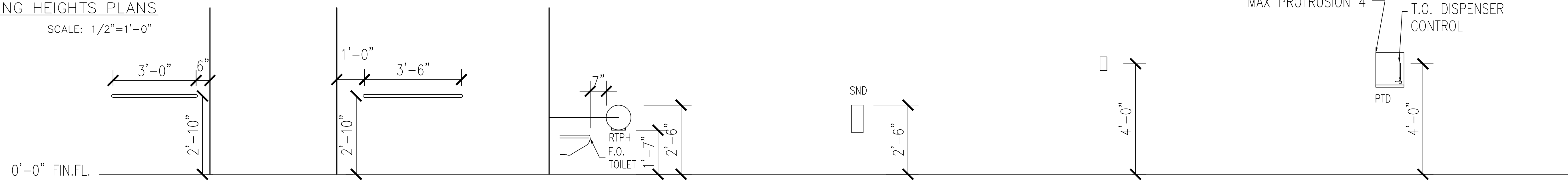
- CT-1 WALL TILE (12" X 12" FLOOR TILE)
- CT-2 FLOOR TILE (12" X 12" FLOOR TILE)

T.R. TILE DETAIL (TYP.)

SCALE: 1/2"=1'-0"

TOILET FIXTURE & ACCESSORY MOUNTING HEIGHTS PLANS

SCALE: 1/2"=1'-0"



TA-1 REAR GRAB BAR

TA-2 SIDE GRAB BAR

TA-5 TYP. & HC ROLL TOILET PAPER HOLDER (RTPH)

TA-7 TYP. & HC SANITARY NAPKIN DISPOSAL (SND)

TA-4 TYP. & HC SOAP DISPENSER (SD)

TA-3 PAPER TOWEL DISPENSER (PTD)